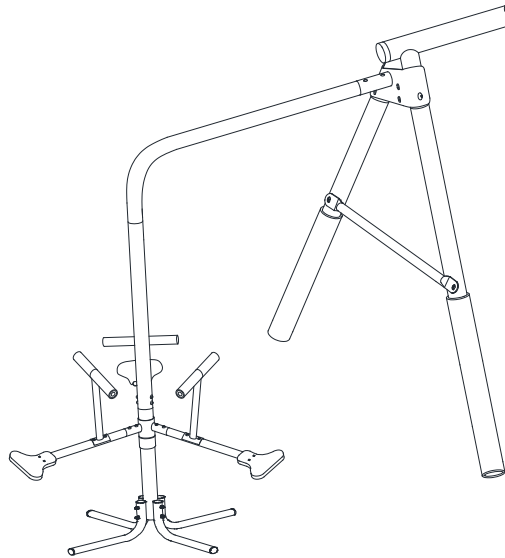




# MODEL 70310

## Triple Fun-Go Round



Allow 6 - 12 ft of clearance around the perimeter of the swing set area when fully assembled.

### OWNER'S MANUAL, ASSEMBLY INSTRUCTIONS, CARE, MAINTENANCE AND USER'S GUIDE

## Important Instructions & Warnings!

**Please read this entire instruction and assembly manual completely before proceeding.** You must follow all safety instructions while using this equipment. The surface area where this swing set is set up must be level and free of all debris. This set is designed to be anchored into the ground and is not to be set up on any hard surfaces such as concrete, hardened soil or asphalt. Proper surfacing under and surrounding the set adds to the safety level such as sand or mulch. Read all cautionary statements on the following pages before using this equipment and save this instruction manual. **DO NOT ALLOW CHILDREN TO PLAY ON THIS GYM SET UNSUPERVISED! CONSTANT ADULT SUPERVISION IS REQUIRED.** Do not use when raining or during any inclement weather (i.e. rain, sleet, snow, ice, high winds, thunderstorms or lightning). **DO NOT ALLOW CHILDREN TO JUMP ON OR CLIMB UP ON THIS SET'S TOP BAR.**

For warranty details and registration see the back page of this manual.

### FOLLOW ALL ASSEMBLY INSTRUCTIONS AS WRITTEN IN THIS MANUAL

**Please retain sales receipt for warranty purposes. DO NOT RETURN THE SET TO**

**THE STORE.** If replacement parts or customer service is needed please contact XDP Recreation by email at [service@xdprecreation.com](mailto:service@xdprecreation.com) or by calling 1-866-884-0535 between 8:00am and 5:00pm (Eastern Standard Time), Monday - Friday. This gym is designed to be used safely by up to three (3) children, ages 3 years to 8 years, with weight capacity of 100 lbs per child or total combined weight limit of 300 lbs for all three (3) children (136kgs). This play gym is designed for backyard use only and is **NOT** intended for playgrounds, schools, day care facilities, nurseries or other public places. **Follow all assembly instructions carefully and as directed in this manual.** This gym conforms to all safety requirements by ASTM for Home Playground equipment when properly assembled using the instructions enclosed. Adult assembly is required. Contains small parts. **For proper stability and safety this gym set should be installed with ground anchors.**

**Anchor Kits can be ordered directly from XDP RECREATION at <https://www.xdprecreation.com> or by calling 1.866.884.0535 or thru your retailer of choice.**

## **INSPECTION PRIOR TO EACH USE OR DAILY INSPECTION**

- **DO NOT** use the equipment if any bolts or nuts are missing or loose. **ALWAYS** check to ensure the equipment and all parts are well secured and stable before each use.
- **ALWAYS** clear the play area of any rocks, sharp objects or any materials that could be potentially hazardous to users.
- **DO NOT** attach items to the equipment that are not specifically designed for use with the equipment, including, but not limited to, jump ropes, clothesline, pet leashes, cables and chains as they may cause choke hazards.
- The steel and plastic parts used in your product are subject to normal wear. Gradual deterioration of the material will occur, the speed of which will depend on the level of exposure to UV rays, airborne pollution, outdoor weather conditions such as rain and wind and the amount of use. You must inspect the equipment prior to every use. This includes, but is not limited to inspecting the set for cracks, excess wear, missing parts, loose connections and for overall integrity. When the set shows any signs of weakness, you must stop using the play set immediately, properly store the set or restrict access by users until the condition is resolved.
- Verify that the chains are secured at both ends and tightened, so that there is no loose chain hanging that can result in choking hazard.

**When conducting inspections, it is recommended that you use the Suggested General Maintenance Checklist and Routine Inspection and Maintenance Issues checklists provided by the US Consumer Product Safety Commission, a copy of which is contained in this user manual.**

## **CARE & MAINTENANCE INSTRUCTIONS**

- Inspect all nuts and bolts twice monthly during the usage season for tightness and tighten as required. It is particularly important that this procedure is followed at the beginning of each season.
- Oil all metallic moving parts monthly during the usage period.
- Sand rusted areas on metal tubing and repaint using a non-lead-based paint meeting the requirements of Title 16 CFR Part 1303.
- Check swing seats and chains monthly during usage season for deterioration. Replacements should be made in accordance with the manufacturer's instructions.
- Check all coverings for bolts and sharp edges twice monthly during usage season to be certain that they are in place and replace when necessary. It is especially important to do this at the beginning of each new season.
- Do not use when the temperature drops below 32 degrees F (0 degrees C); remove and store the plastic swing seats and slide indoors.

**READ THROUGH THE ENTIRE ASSEMBLY PAGES  
FIRST BEFORE STARTING.**

# **CARE AND MAINTENANCE CHECKLIST**

## **AT THE BEGINNING OF EACH PLAY SEASON:**

- Tighten all hardware.
- Lubricate all metallic moving parts.
- Check all protective coverings on bolts, pipes, edges, and corners. Replace if they are loose, cracked, or missing.
- Check all moving parts including swing seats and chains for wear, rust or other deterioration. Replace as needed.
- Check metal parts for rust. If found, sand and repaint using a non-lead paint meeting the requirements of 16 CFR 1303.
- Reinstall any plastic parts, such as swing seats or any other items that were removed for the cold season.
- Rake and check depth of loose fill protective surfacing materials to prevent compaction and to maintain appropriate depth. Replace as needed.

## **TWICE A MONTH DURING PLAY SEASON:**

- Tighten all hardware.
- Check all protective coverings on bolts, pipes, edges and corners. Replace if they are loose, cracked or missing.
- Rake and check depth of loose fill protective surfacing materials to prevent compaction and to maintain appropriate depth. Replace as needed.

## **ONCE A MONTH DURING PLAY SEASON:**

- Lubricate all metallic moving parts per manufacturer's instructions.
- Check all moving parts including swing seats and chains for wear, rust or other deterioration. Replace as needed.
- Rake and check depth of loose fill protective surfacing materials to prevent compaction and to maintain appropriate depth. Replace as needed.

## **AT THE END OF EACH PLAY SEASON:**

- At the end of each play season or when the temperature drops below 32 degrees F (0 degrees C).
- Remove plastic swing seats and other items as specified by the manufacturer and take indoors or do not use.
- Rake and check depth of loose fill protective surfacing materials to prevent compaction and to maintain appropriate depth. Replace as needed.

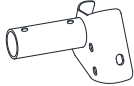




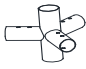




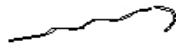
As a general rule, maintenance should be performed at any time it is deemed necessary.

## **DISPOSAL INSTRUCTIONS**

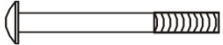
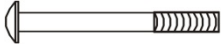
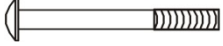

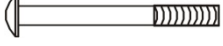
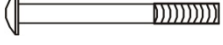




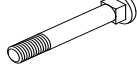







- ◆ Please use care when disassembling the equipment, when it is no longer in operational condition. Wear heavy duty working gloves to avoid injuries.
- ◆ Fully disassemble the entire swing and slide sets before disposal. Do not leave partially disassembled parts in areas accessible by children.
- ◆ Should you wish to recycle the steel tubing, please take the frame to your local recycling center.
- ◆ All plastic parts can be recycled, take it to your local recycling center. Do not let children play with any disassembled parts meant for disposal, such as chains, slide, tubing, bolts, nuts, screws, etc.
- ◆ All rusted parts, bolts must be properly disposed of in trash bin. Do not reuse.

Owners shall be responsible for maintaining the legibility of the warning labels.

## Part list for Triple Fun-Go Round assembly

Q1		FRAME CONNECTOR	1
Q2		L-SHAPED SUPPORT TUBE	1
Q3		UPPER SUPPORT TUBE	1
Q4		LOWER SUPPORT TUBE	1
Q5		METAL SLEEVE (with PLASTIC SPACER pre-assembled)	1
Q6		ROTATING SLEEVE (with PLASTIC SPACER pre-assembled)	1
Q7		LEFT L-SHAPED LEG (with lower holes)	2
Q8		RIGHT L-SHAPED LEG (with higher holes)	2
Q9		SEAT SUPPORT	3
Q10		HANDLE BAR (with FOAM TUBE pre-assembled)	3
Q27		ANCHOR	2

## Hardware used for Triple Fun-Go Round assembly

Q11		BOLT 5/16" (127MM)	4
Q12		BOLT 5/16" (75MM)	1
Q13		BOLT 5/16" (68MM)	4
Q14		BOLT 5/16" (63MM)	6
Q15		BOLT 5/16" (55MM)	6
Q16		BOLT 5/16" (52MM)	6
Q17		WASHER 5/16"	4
Q18		ARC WASHER 5/16"	23
Q19		NUT 5/16"	27
Q20		CAP NUT 1/4"	6
Q21		BOLT 1/4" (37MM)	6
Q22		SPRING WASHER	6
Q23		PLASTIC CAP (WITH ARC WASHER)	27
Q24		SEAT	3
Q25		PLASTIC SPACER (PRE-ASSEMBLED <b><u>ON Q5 &amp; Q6</u></b> )	3
Q26		FOAM TUBE (PRE-ASSEMBLED <b><u>ON Q10</u></b> )	6
TOOLS		WRENCH	1
TOOLS		ALLENWRENCH	1

## **ASSEMBLY INSTRUCTIONS**

- **Place the playground equipment on level ground** and not less than 6ft (1.8m) from any structure or obstruction such as a fence, garage, house, overhanging branches, laundry line or electrical wires.
- Do not install the playground equipment over concrete, asphalt, packed earth or any other hard surface; a fall onto a hard surface can result in serious injury or death to the equipment user.
- Adequate overhead clearance is essential. A minimum clearance from ground level shall be recommended. Provide clearance for wires, tree limbs and other possible hazards.
- Use the swing set in a well-lighted area. Artificial illumination may be required for shady areas.
- Secure the swing set against unauthorized and unsupervised use.
- The owner and supervisors of the swing set are responsible to make all users aware of practices specified in the use instructions.

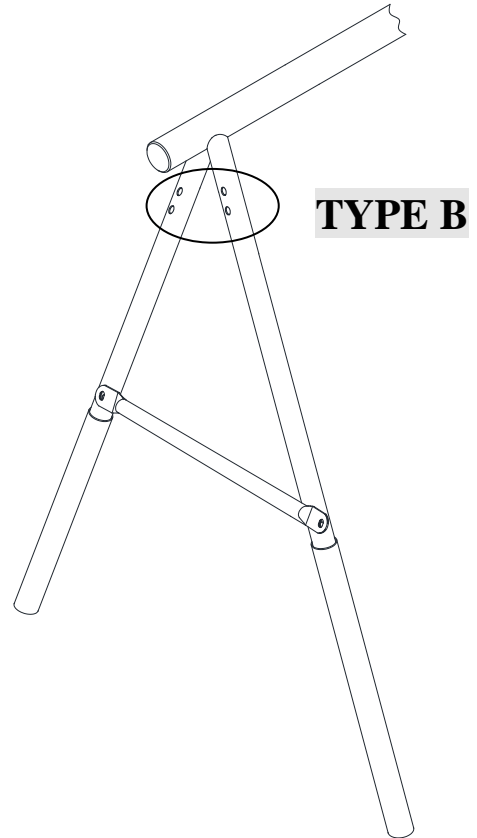
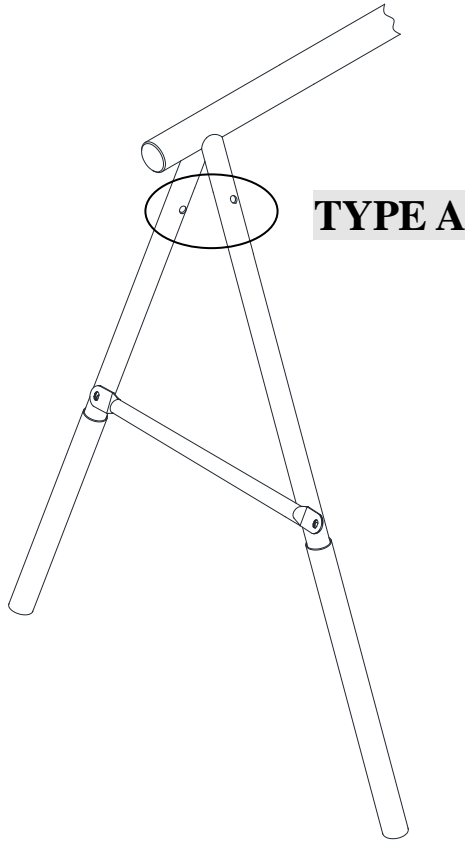
## **TIGHTENING NUTS & BOLTS**

- For ease of installation, do not over-tighten the nuts and bolts when you are first putting the equipment together. This will allow for some possible adjustments during installation.
- Once you have finished assembling each component of the play set, make sure to go back over each step and properly tighten all nuts, bolts and plastic caps. **Check the entire unit to ensure all parts are properly assembled before allowing children to use the playground equipment.**

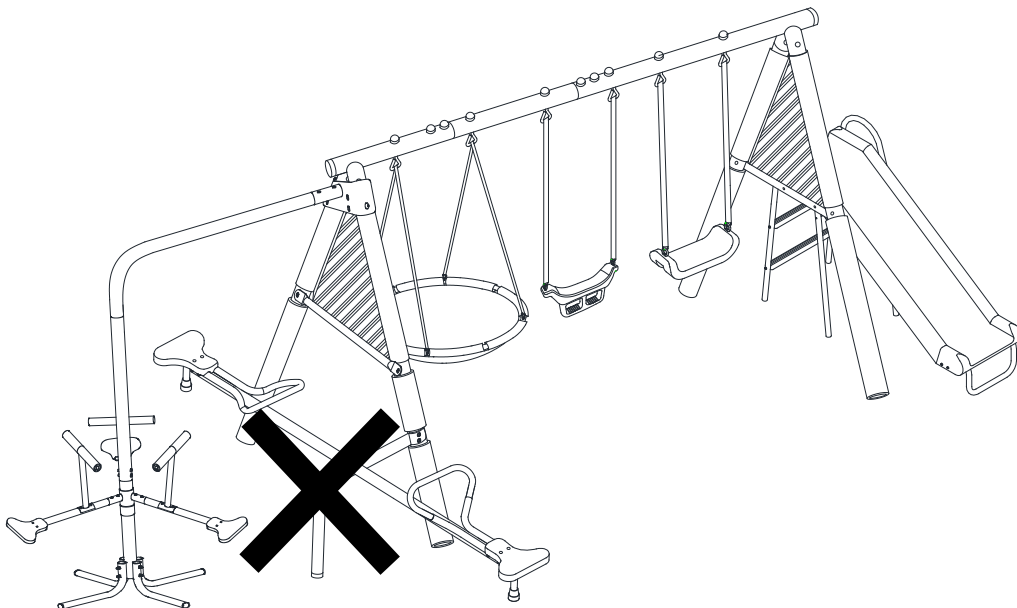
**BEFORE YOU BEGIN, please check what kind of frame you have.**

1. Do you have Type A (apply to all XDP swing sets) or Type B frame?

- TYPE A has TWO (2) holes on the front and back of the frame. Please start assembly of this unit with STEP 1A.
- TYPE B has FOUR (4) holes on sides of the frame. Please start assembly of this unit with STEP 1B.

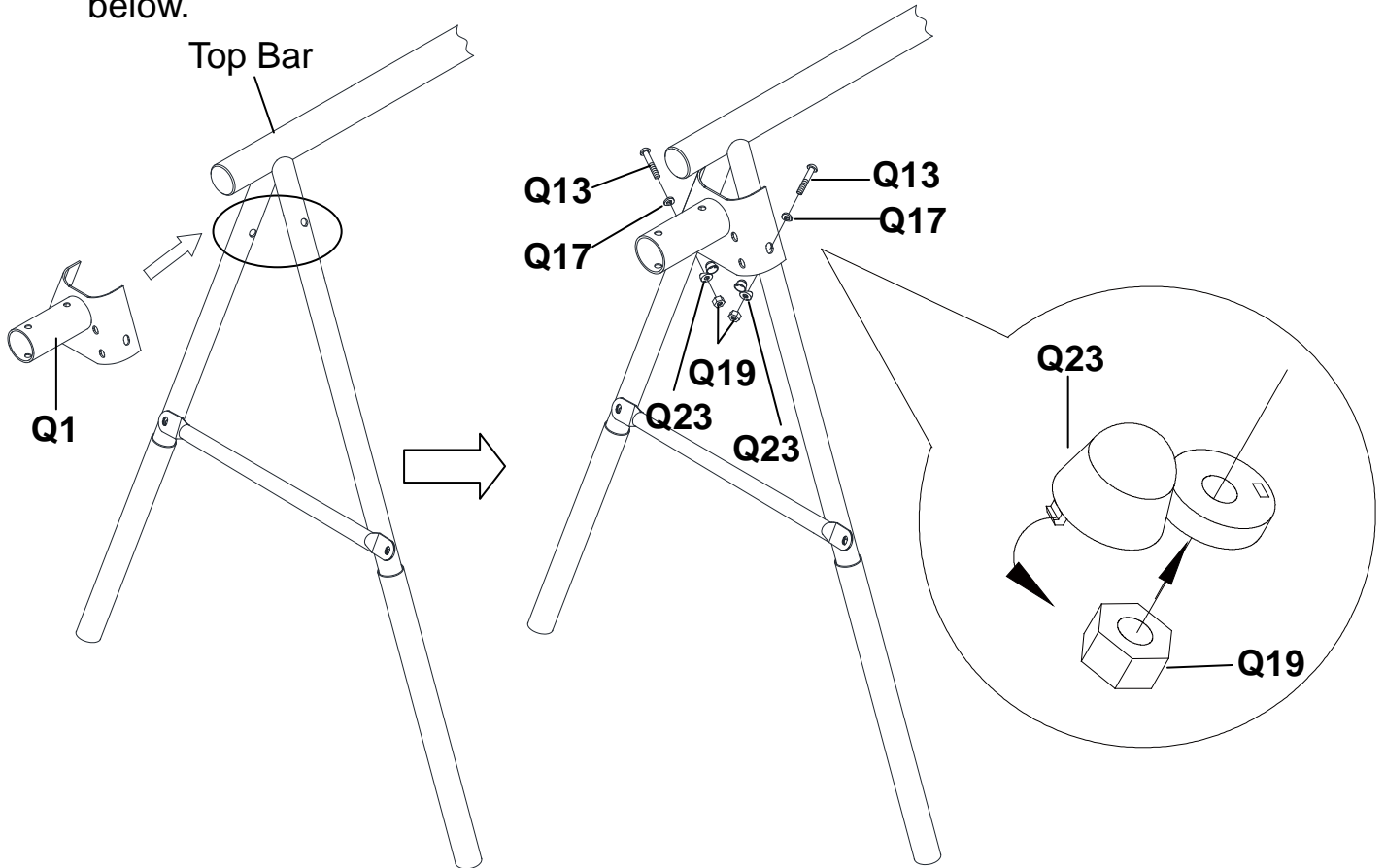


2. Make sure you don't have anything, such as seesaw or slide, attached to the side of the frame you want to attach this product to. If you do, please remove/disassemble them before you begin. See illustration below.



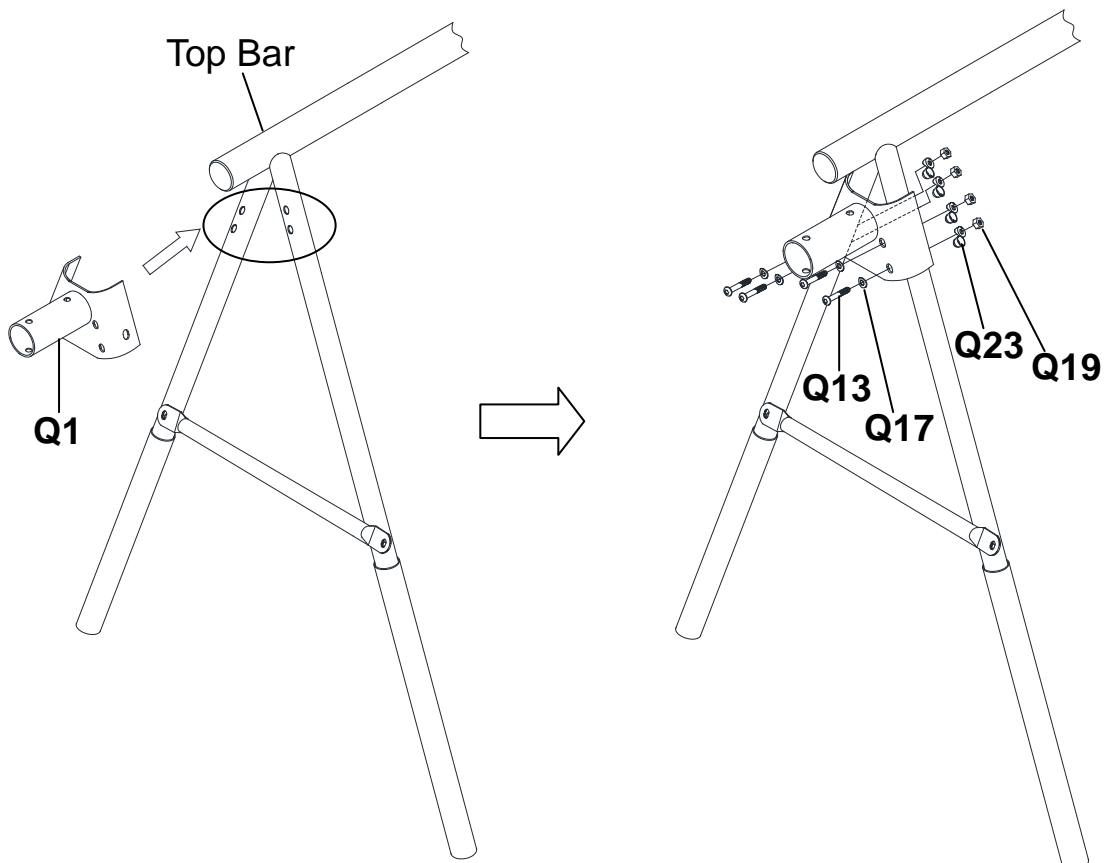
## STEP 1A (For Type A frame ONLY)

- Connect Q1 to Top Bar and secure using Q13, Q17, Q23 and Q19 as shown below.



## STEP 1B (For Type B frame ONLY)

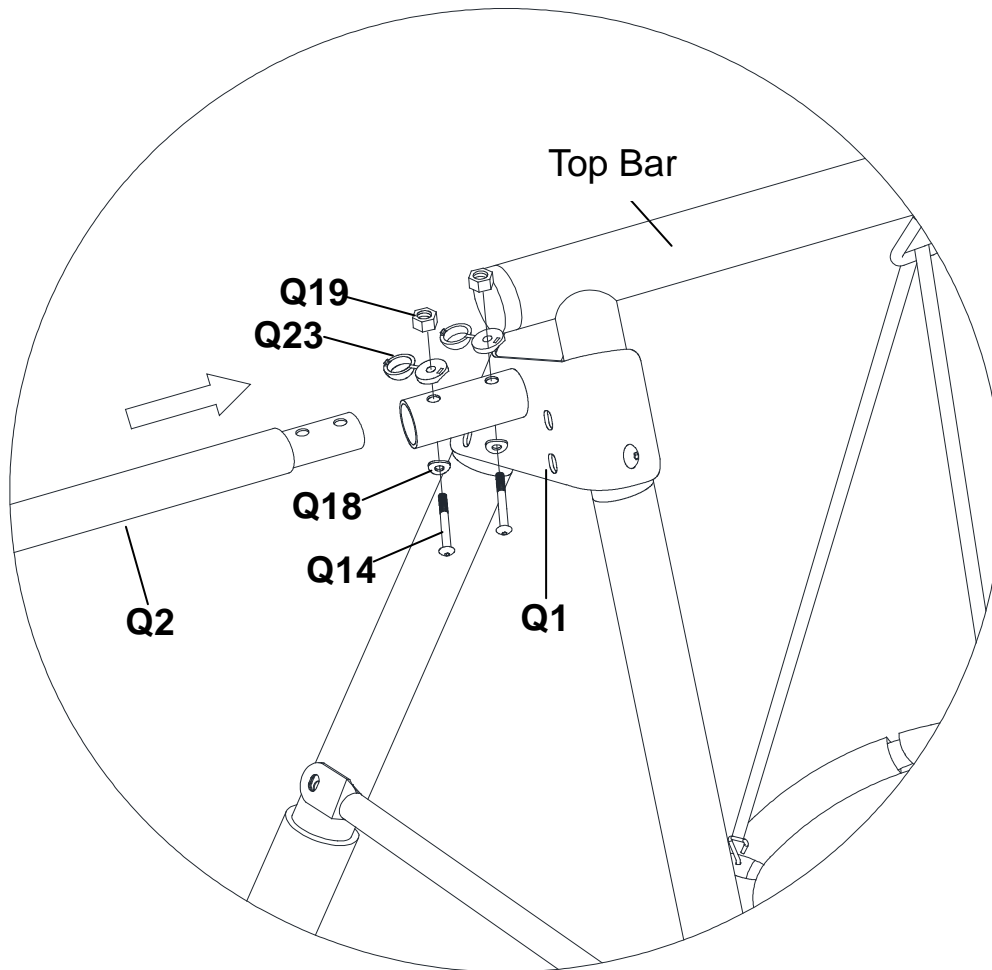
- Connect Q1 to Top Bar and secure using Q13, Q17, Q23 and Q19 as shown below.



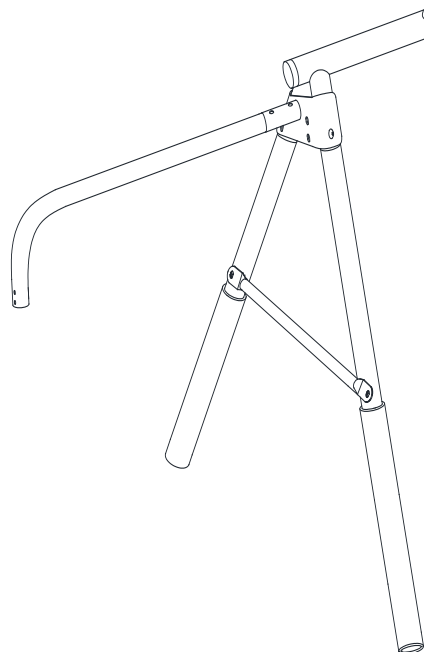


## STEP 2

- Insert Q2 to Q1 and secure using Q14, Q18, Q23 and Q19 as shown below.



Now, the parts should look like below after completion of STEP 1A or 1B and 2.



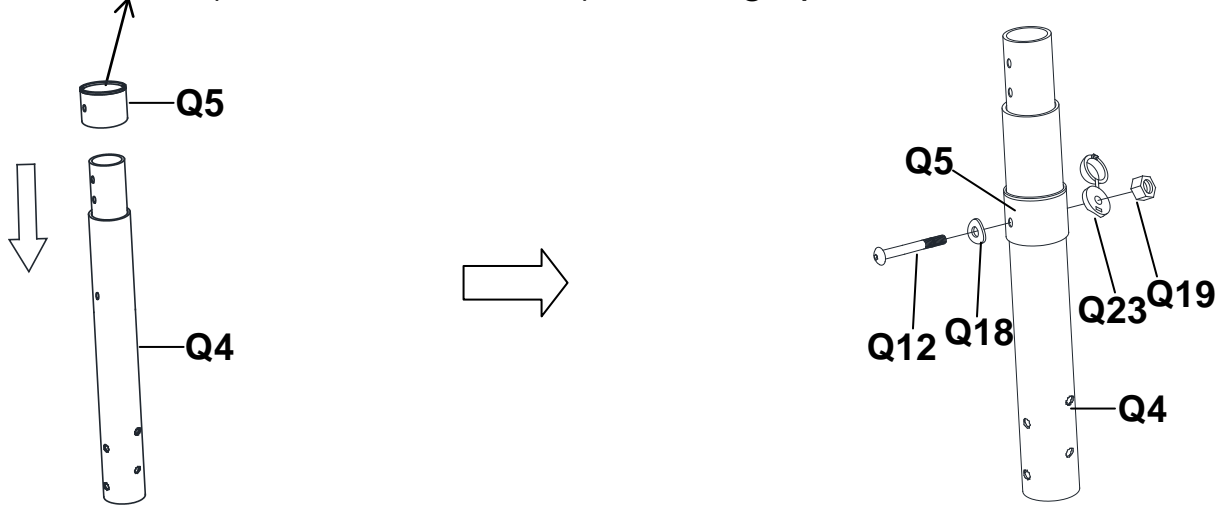
### NOTE:

- 1. Do not over-tighten the nuts and bolts at every step.**
- 2. Do not snap in the cover of plastic cap until you have finished the assembly of each step and went back to tighten all of the nuts and bolts.**

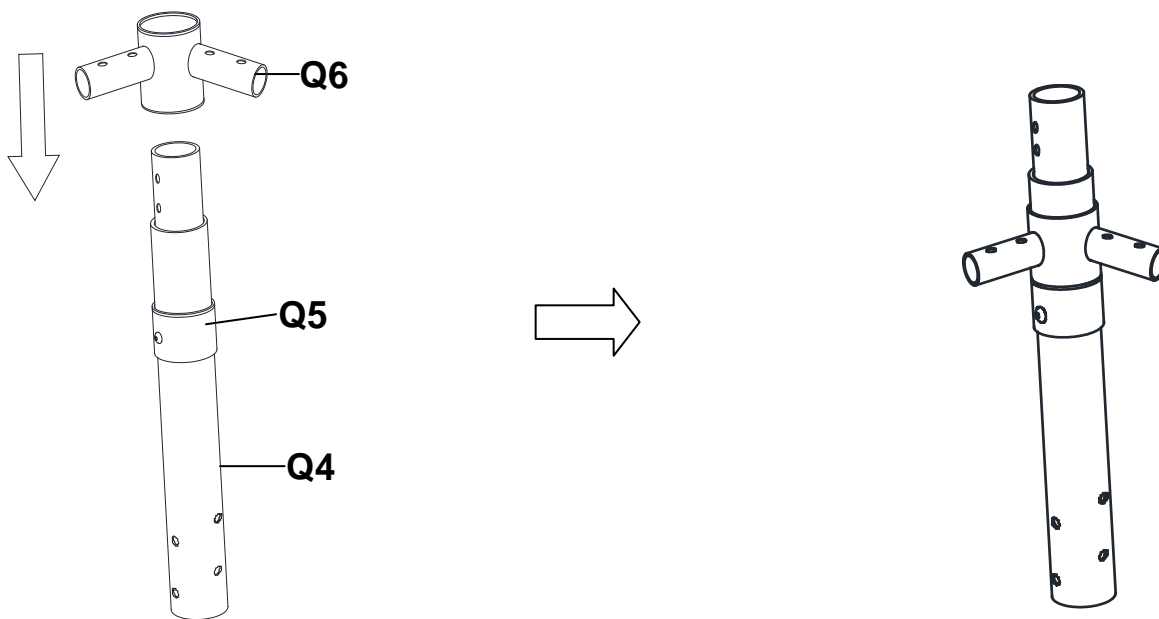
### STEP 3

- Slide Q5 into Q4 and secure using Q12, Q18, Q23 and Q19.

Q25 (PLASTIC SPACER) is facing up.

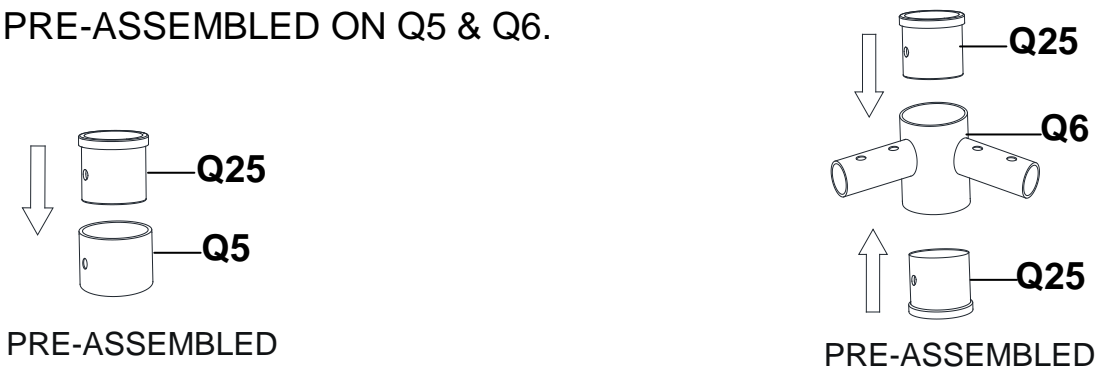


- Slide Q6 into Q4 as shown below.



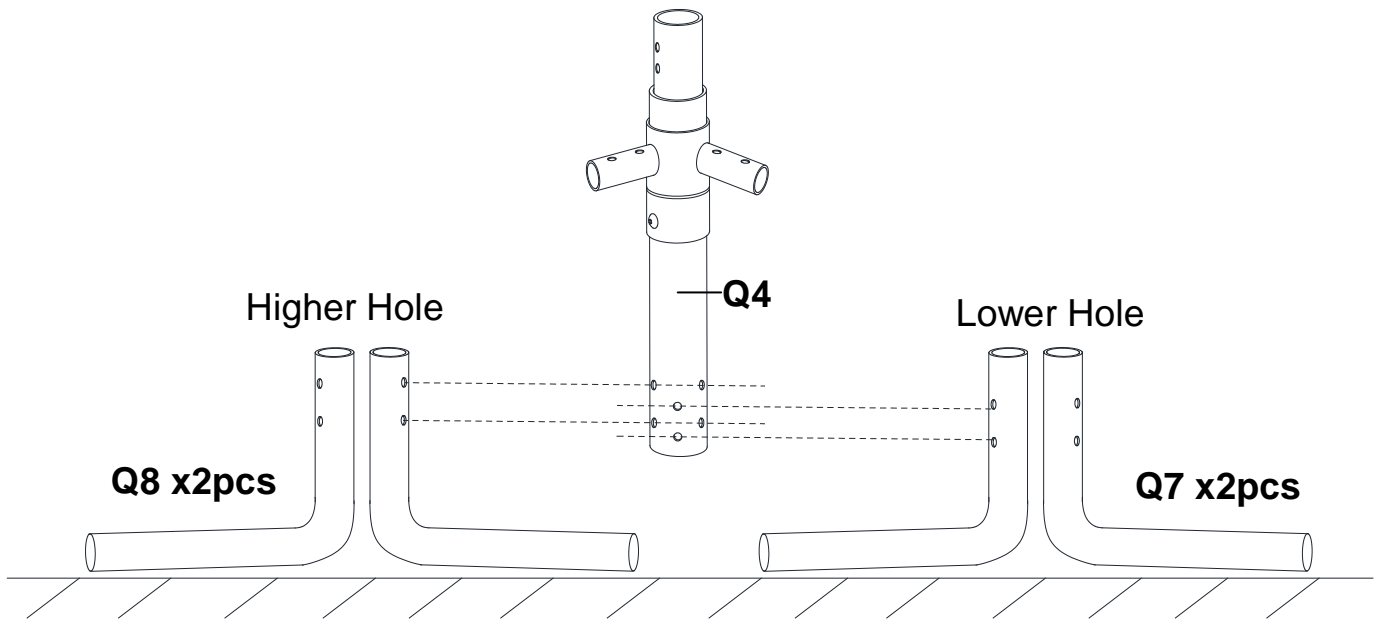
#### Note:

Q25 is PRE-ASSEMBLED ON Q5 & Q6.



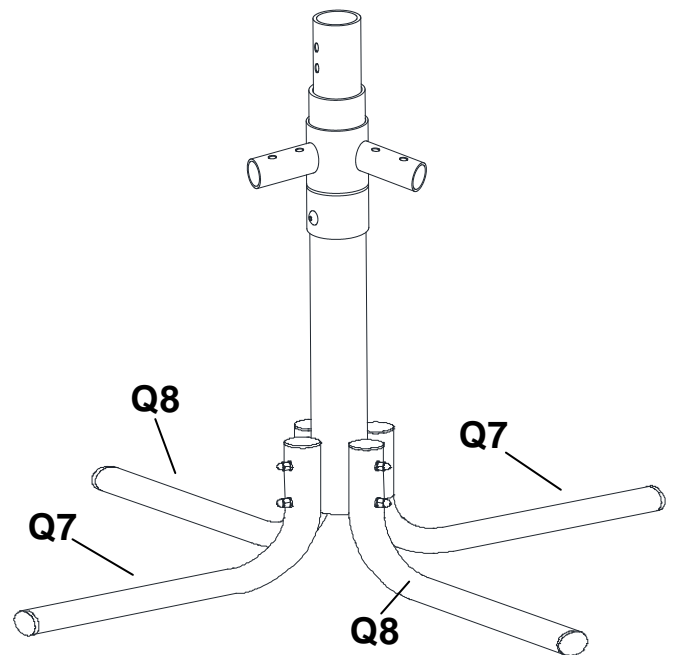
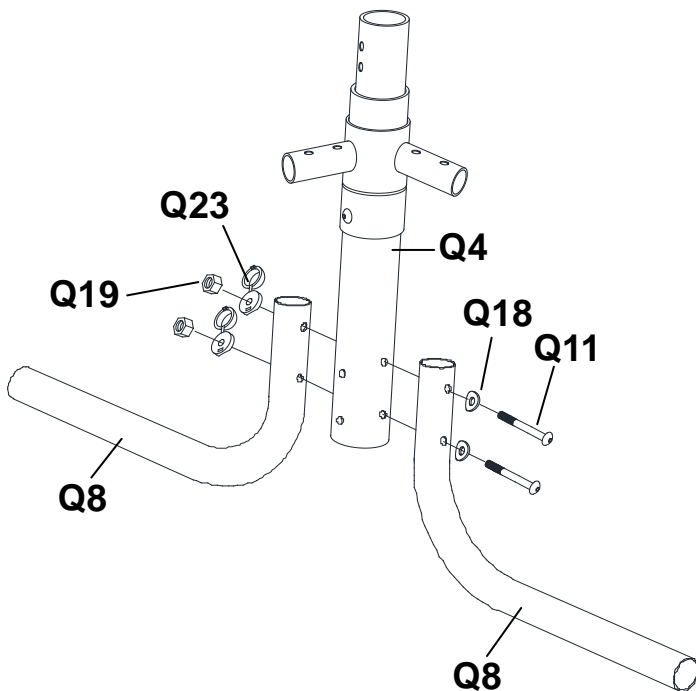
## STEP 4

Before you start STEP 4, **please make sure you have a level ground** to assemble Q8 and Q7. The holes on Q8 and Q7 should be aligned to the corresponding holes on Q4.



- Connect Q8 to Q4 and secure using Q11, Q18, Q23 and Q19 as shown below.

- Repeat this step to complete the installation of Q7.

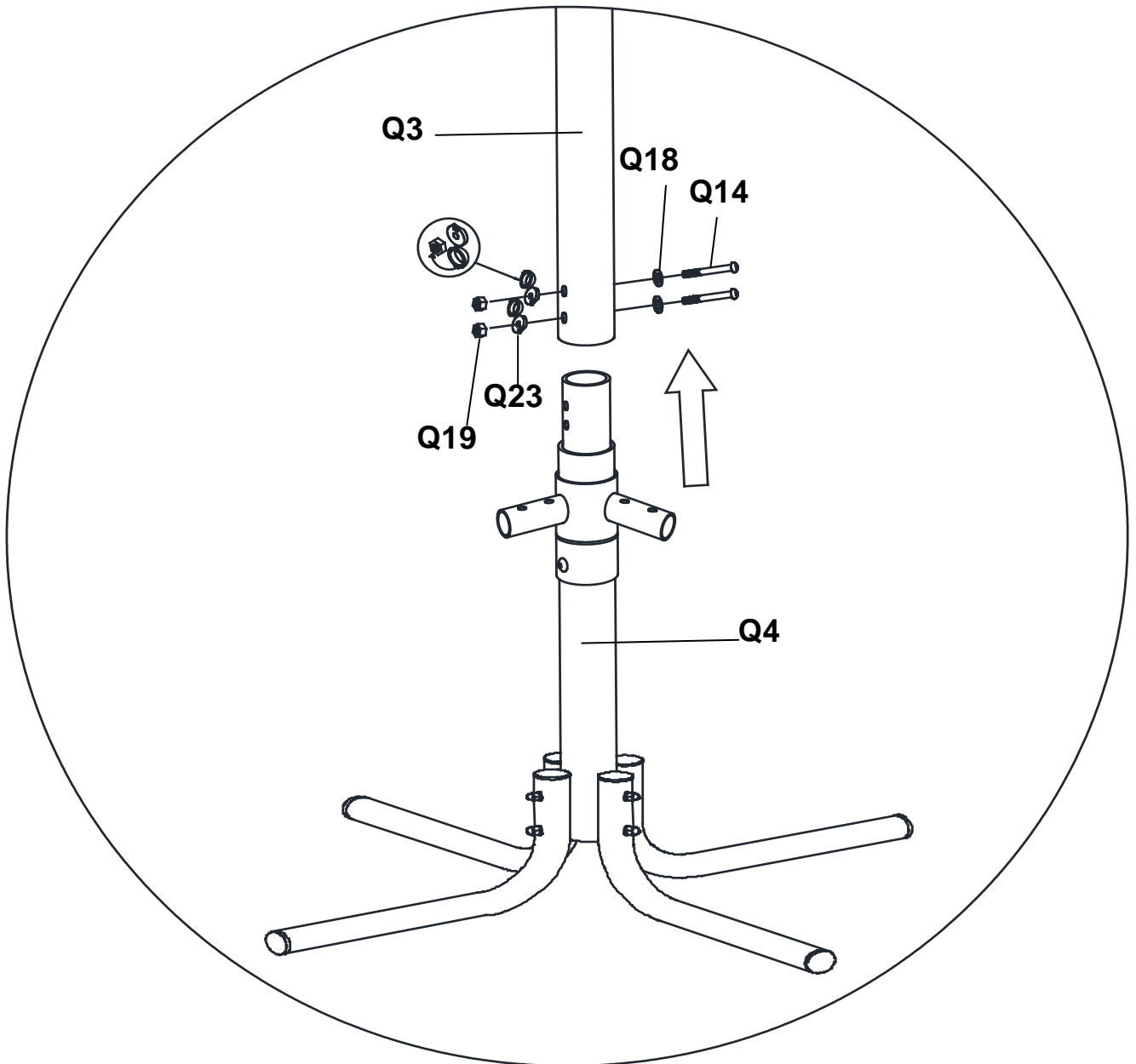


### NOTE:

- 1. Do not over-tighten the nuts and bolts at every step.**
- 2. Do not snap in the cover of plastic cap until you have finished the assembly of each step and went back to tighten all of the nuts and bolts.**

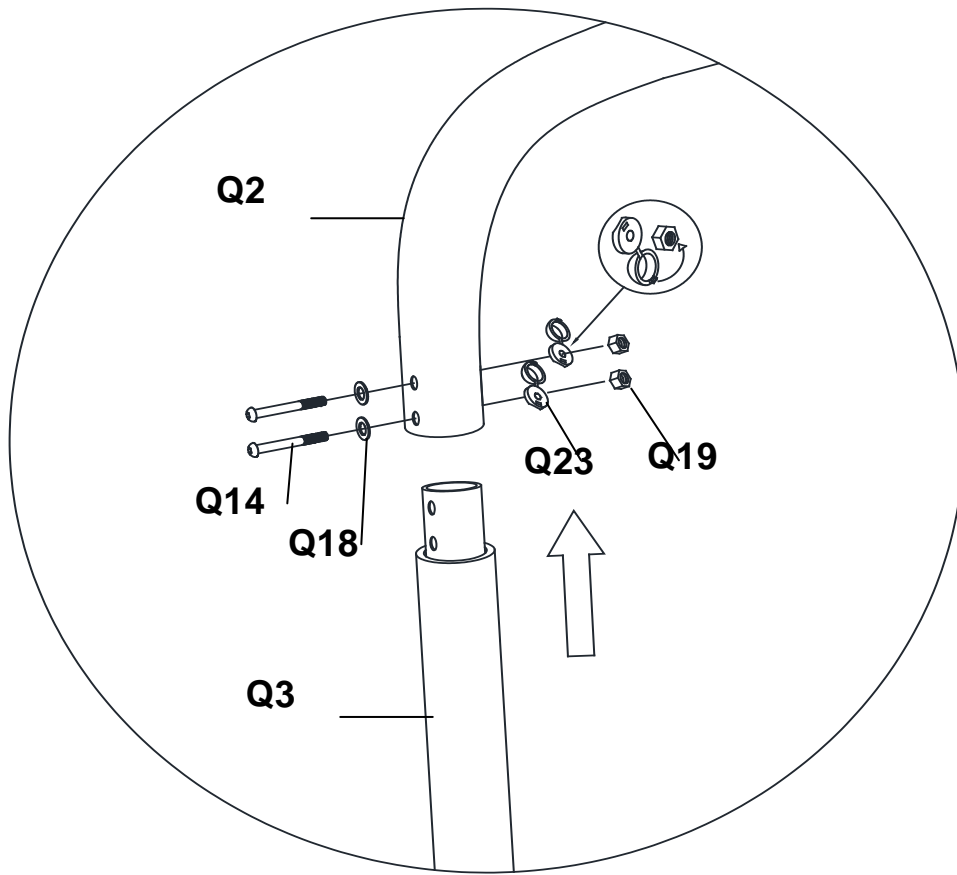
## STEP 5

- Insert Q4 into Q3 and secure using Q14, Q18, Q23 and Q19 as shown below.

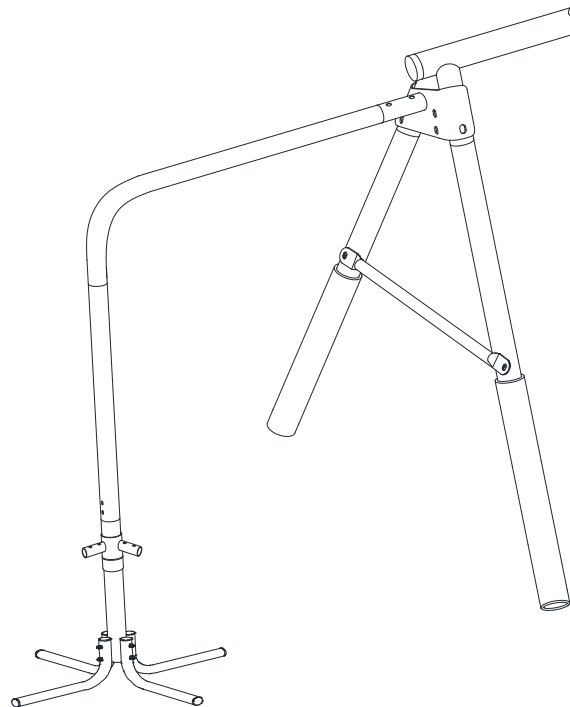


## STEP 6

- Now, connect Q3 to Q2 and secure using Q14, Q18, Q23 and Q19 as shown below.



The parts should look like below diagram after completion of this step.

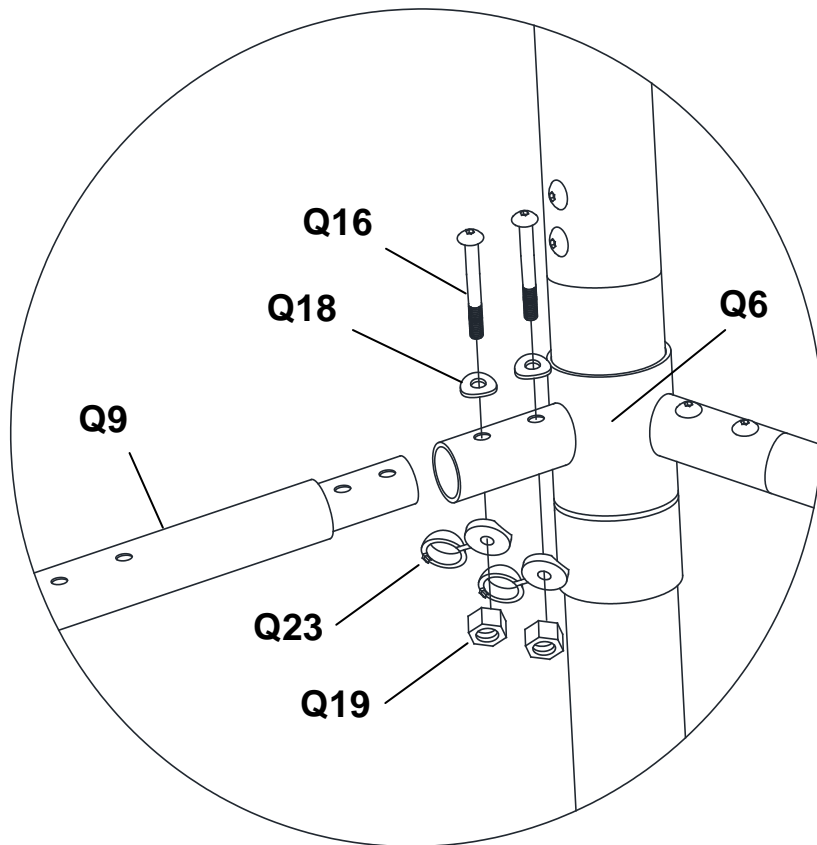


### NOTE:

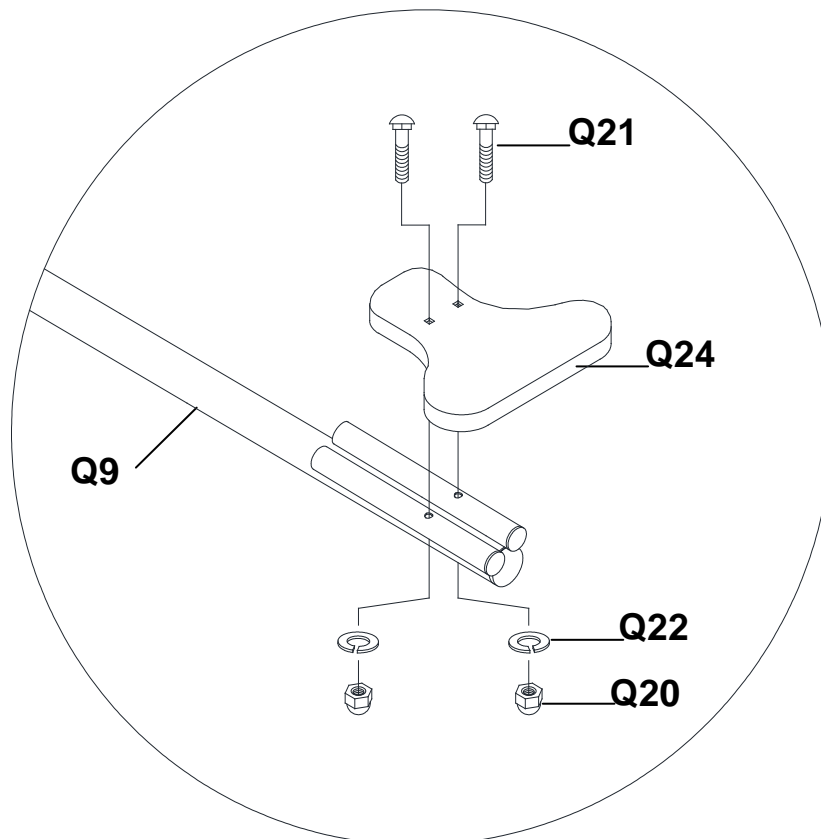
- 1. Do not over-tighten the nuts and bolts at every step.**
- 2. Do not snap in the cover of plastic cap until you have finished the assembly of each step and went back to tighten all of the nuts and bolts.**

## STEP 7

- Connect Q9 to Q6 and secure using Q16, Q18, Q23 and Q19 as shown below.

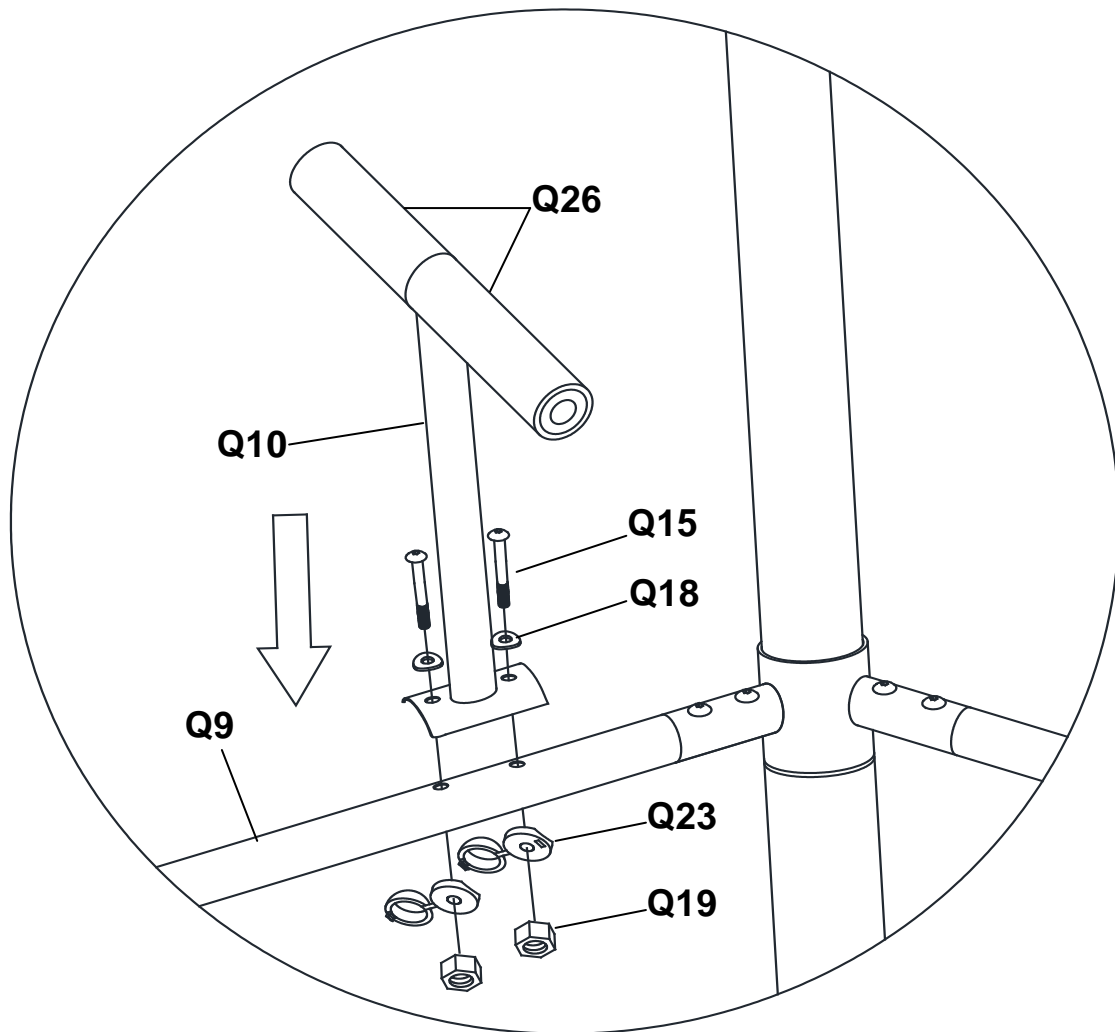


- Connect Q24 to Q9 and secure using Q21, Q22 and Q20 as shown below.

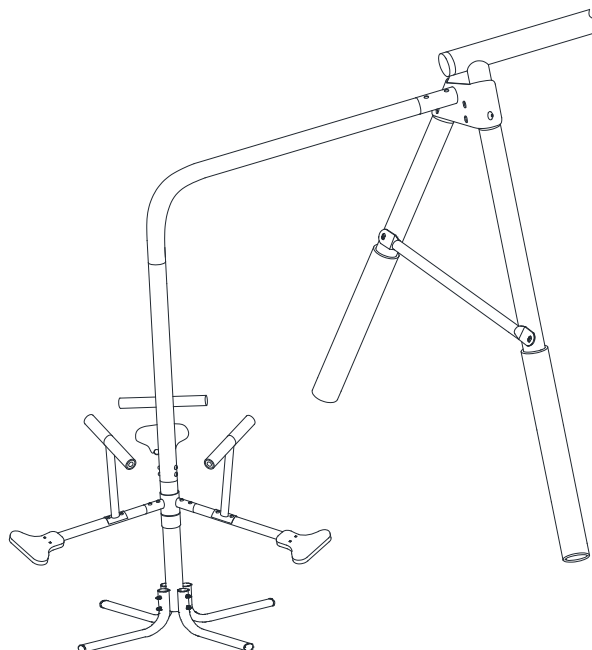


## STEP 8

- Connect Q10 to Q9 and secure using Q15, Q18, Q23 and Q19 as shown below. (Q26 FOAM TUBE is PRE-ASSEMBLED ON Q10)

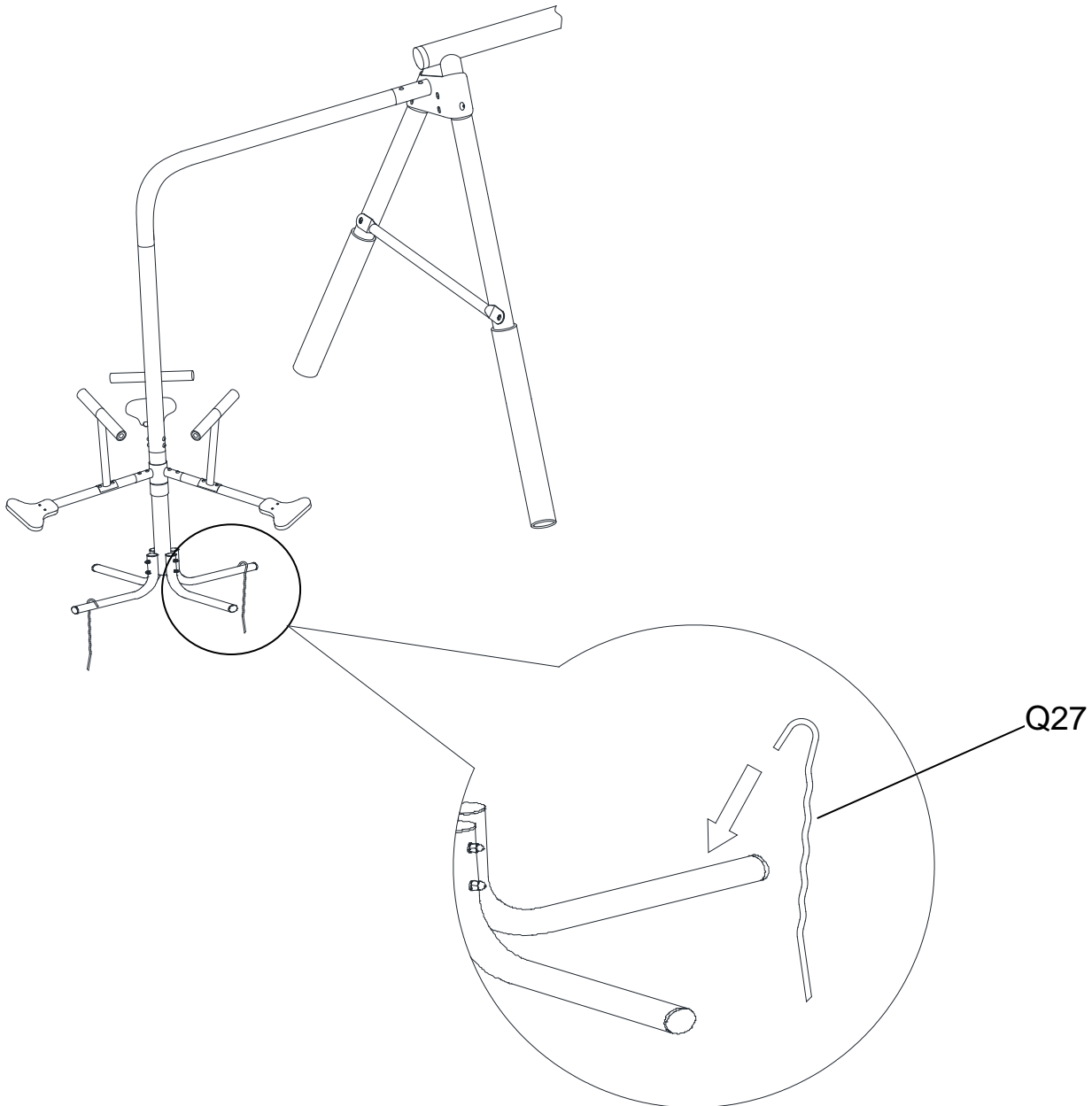


The parts should look like below diagram after completion of this STEP 8.



## STEP 9

- Insert the Q27 ANCHOR into the ground until only end of the hook is above the ground and hook onto the L-Shaped Legs.



Additional Anchor Kits for Swing Sets are available at <https://www.xdprecreation.com> or your retailer of choice.



## ***Congratulations!***

You have now completed the swing set assembly. Please make sure to thoroughly check all parts and hardware to make sure all bolts and nuts are well secured before using the playground equipment.

**WARNING - Do not let children use the playground equipment until it is properly assembled and anchored.**



### **WARNING**

**Please properly anchor the swing set to minimize the risk of injury or death.**

**If this product set is used without proper anchoring, it may be dangerous and may tilt over.**



Dear Customer:

Thank you for your purchase of an XDP Recreation swing set. By following the instruction manual, reading all safety and assembly instructions, and properly anchoring your swing set in the ground, your kids will safely enjoy hours of fun. Detailed below is our warranty covering your purchase. Please be sure to read it and contact us in the event you need service or parts. **DO NOT RETURN THE SET TO THE STORE YOU PURCHASED IT.**

Sincerely,  
XDP Recreation LLC

### **MANUFACTURER'S LIMITED WARRANTY**

#### **What does this Limited Warranty cover?**

This warranty covers your XDP Recreation product for one hundred and eighty (180) days against defects in material, workmanship, and rust on painted parts which compromise the structural integrity of the product when used for the purpose intended, normal outdoor conditions, and **provided it is assembled correctly** as illustrated in this manual and receives the proper care and maintenance. NOTE: ***Surface rust is not covered under this warranty.***

#### **Who does this Limited Warranty Cover?**

This warranty is extended only to the original purchaser with a receipt and is **not** transferrable.

#### **What will XDP Recreation do?**

They will provide a replacement part at no charge for any part found defective during the warranty period.

#### **What does this warranty NOT cover?**

This limited warranty **does not** cover XDP Recreation products which: fail due to (1) normal wear; (2) abuse and misuse; (3) improper maintenance; (4) unauthorized repairs or incorrect parts use; or (5) are used for commercial or other income producing purposes.

#### **How do you obtain service?**

All warranty repairs must be authorized by XDP Recreation Customer Service Assistance Department before repairs are made. **IMPORTANT: There is NO NEED to return the entire unit to the store where it was purchased!** In order to obtain quick service provided by this warranty, you may call or email the details using the below contact:

### **Customer Support:**

8:00 AM to 5:00 PM Monday through Friday (Eastern Standard Time) -  
1-866-884-0535 or email us at [service@xdprecreation.com](mailto:service@xdprecreation.com) or via fax at  
1-770-886-2746.

Further info can be found at [www.xdprecreation.com](http://www.xdprecreation.com)



## PRODUCT INFORMATION & SUPPORT

### **Please Retain Sales Receipt for Warranty Purposes.**

**DO NOT RETURN THE SET TO THE STORE.** If replacement parts or **IF Customer Service is needed** please contact XDP Recreation by email at [service@xdprecreation.com](mailto:service@xdprecreation.com) or **CALL 1-866-884-0535** between 8:00am and 5:00pm (Eastern Standard Time), Monday - Friday. This Swing Set is designed to be used safely by children, ages 3 years to 8 years, with weight capacity of 100 lbs per child.

This play gym is designed for backyard use only and is NOT intended for playgrounds, schools, day care facilities, nurseries or other public places.

### **Follow all assembly instructions carefully and as directed in this manual.**

This gym conforms to all safety requirements by ASTM for Home Playground equipment when properly assembled using the instructions enclosed.

Adult assembly is required.

Contains small parts.

### **For proper stability and safety, this gym set should be installed with ground anchors.**

**IF NEEDED, GROUND ANCHORS CAN BE BOUGHT FROM THE STORE YOU PURCHASED THIS SET AT OR BY PURCHASING FROM XDP RECREATION'S WEBSITE AT [www.xdprecreation.com](http://www.xdprecreation.com)**

XDP RECREATION LLC, 5910 SHILOH ROAD EAST, SUITE 108, ALPHARETTA, GEORGIA 30005

## **REGISTER YOUR "XDP" PURCHASED PRODUCT**

PLEASE VISIT OUR WEBSITE at [www.xdprecreation.com](http://www.xdprecreation.com) to register your

Purchased Product using the **manufacturer batch code** found near the Warning

Label on the "L-SHAPED SUPPORT TUBE" of this set.

There also is a **short on-line survey** which you can fill out to complete the Product

Registration: <http://xdprecreation.com/index.php/product-registration/>

LIKE US ON FACEBOOK



@XDPRECREATION

<https://www.facebook.com/XDPRecreation/>

**VISIT OUR WEBSITE: [www.xdprecreation.com](http://www.xdprecreation.com)**



Dear Customer,

**THANK YOU** for being an XDP Recreation Customer.

**IT'S HERE – The NEW**

**FIREFLY LED SWING**



**Check out our Website or the General Marketplace**

**For this FANTASTICALLY / FUN**

**STROBING – LED – COLORED – FLASHING MODES**

**SWING**

**[www.xdprecreation.com](http://www.xdprecreation.com)**

**KEEP HAVING FUN!**



**[www.xdprecreation.com](http://www.xdprecreation.com)**

**Alpharetta, Georgia 30005, USA**