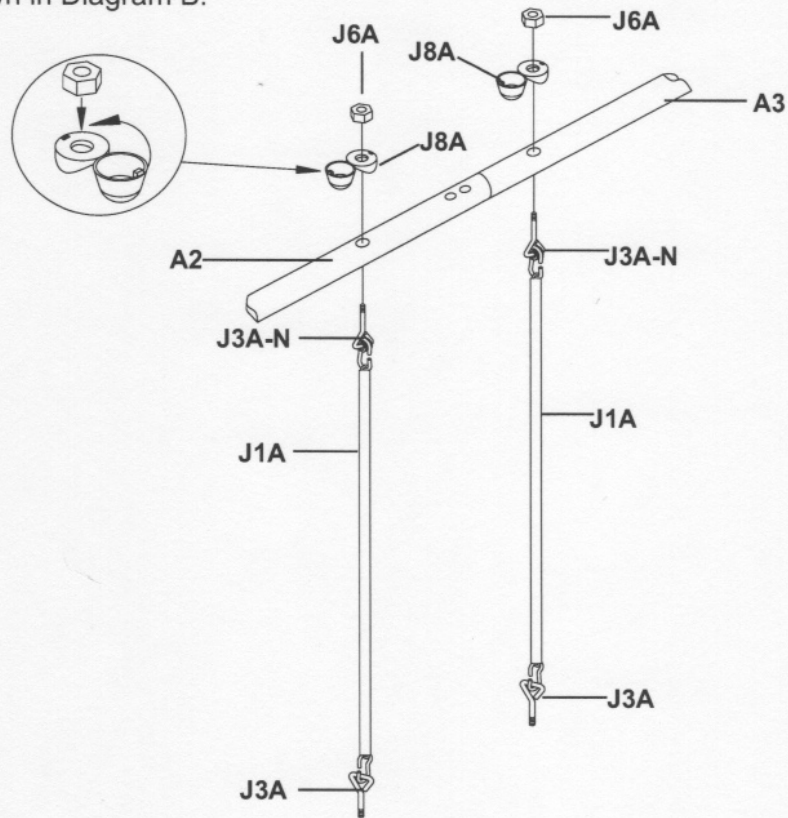


Stand R Swing assembly

- Connect Stand R Swing chains to the top bar by inserting J3A-N through A2 & A3 and securing with J8A and J6A as shown in Diagram A.
- Connect Stand R Swing to the chains by inserting J3A through K2 and secure with J7A, J9A and J6A as shown in Diagram B.

DIAGRAM A



If you wish to adjust the chain length, follow the below diagram.

